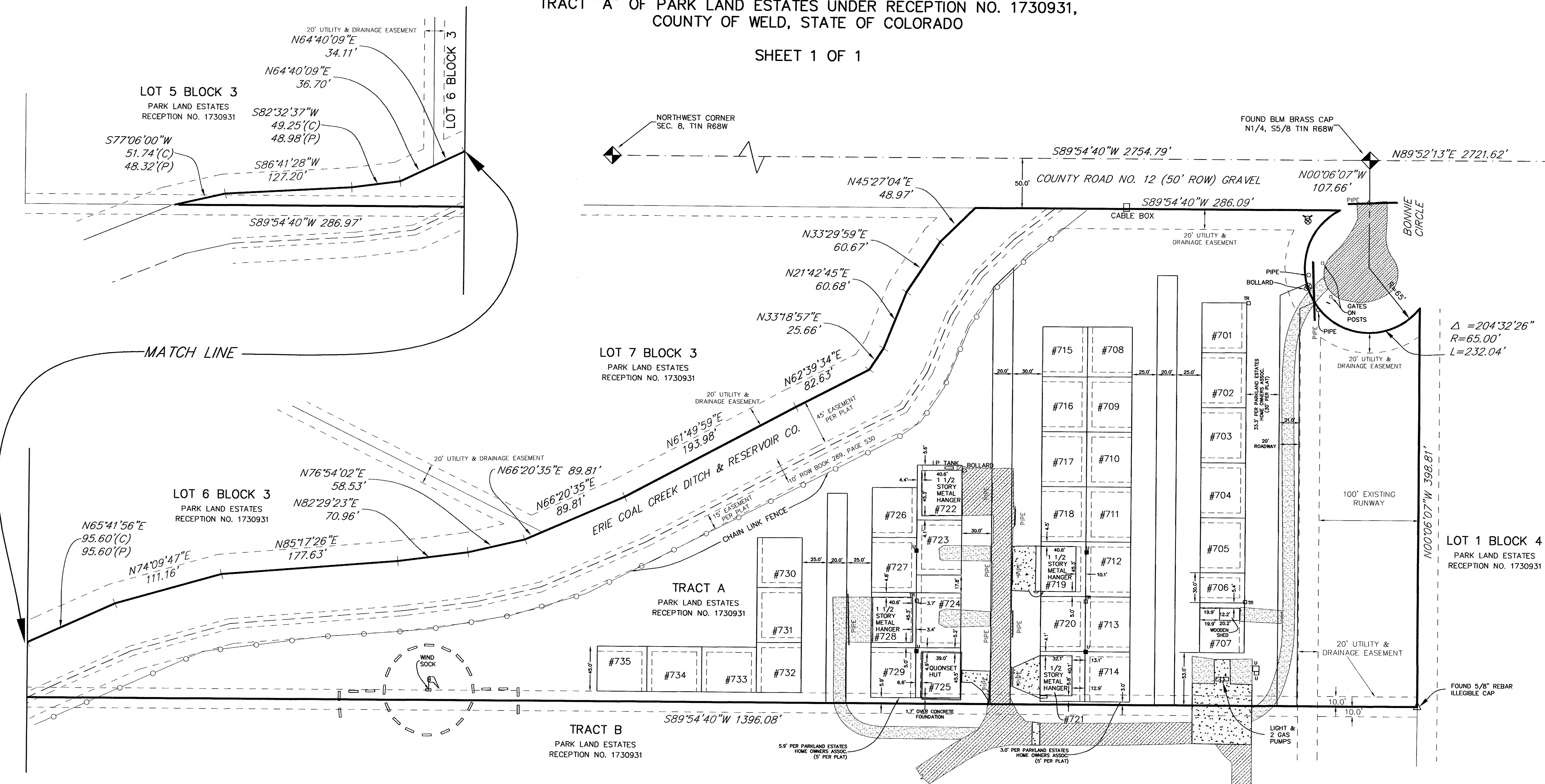


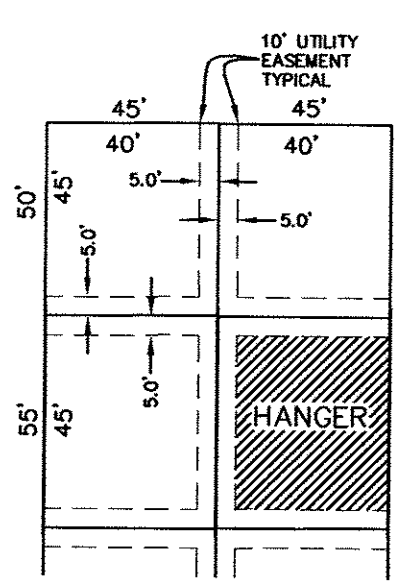
IMPROVEMENT LOCATION SURVEY
PARK LAND ESTATES
 TRACT "A" OF PARK LAND ESTATES UNDER RECEPTION NO. 1730931,
 COUNTY OF WELD, STATE OF COLORADO

SHEET 1 OF 1

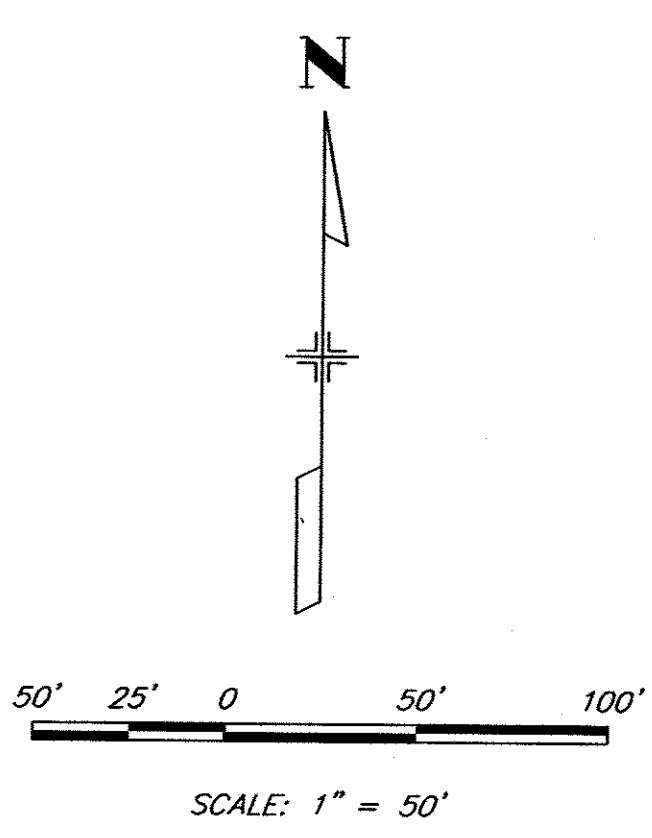


LEGEND

- FOUND 3/8" REBAR
- FOUND BENT 3/8" REBAR
- CALCULATED DISTANCE
- PLATTED DISTANCE
- FIRE HYDRANT
- SECTION CORNER
- WATER VALVE
- UTILITY PEDESTAL
- TRANSFORMER PAD
- CONCRETE
- ASPHALT
- GRAVEL



TYPICAL LOT/HANGER LAYOUT



GENERAL NOTES:

1. THIS IMPROVEMENT LOCATION CERTIFICATE WAS PERFORMED WITHOUT THE BENEFIT OF A TITLE INSURANCE COMMITMENT OR A TITLE INSURANCE POLICY. A TITLE INSURANCE COMMITMENT OR A TITLE INSURANCE POLICY MAY DISCLOSE FACTS NOT REFLECTED ON THE IMPROVEMENT LOCATION CERTIFICATE. THIS IMPROVEMENT LOCATION CERTIFICATE DOES NOT CONSTITUTE A TITLE SEARCH BY A & R SURVEYING, LLC. TO DETERMINE OWNERSHIP OF THIS TRACT, VERIFY THE DESCRIPTIONS SHOWN, VERIFY THE COMPATIBILITY OF THIS DESCRIPTION WITH THAT OF ADJACENT TRACTS, OR VERIFY EASEMENTS OF RECORD.
2. ALL TIES TO RECORD TITLE LINES FROM THE BUILDING CORNERS AS SHOWN HEREON ARE PERPENDICULAR TO THE RECORD TITLE LINES. ALL MEASUREMENTS REFLECT FINISHED EXTERIOR WALL ON ALL BUILDINGS; THEREFORE, THE POSSIBILITY EXIST OF A SMALL DISPARITY BETWEEN OUR MEASUREMENTS AND THOSE OF THE ORIGINAL BUILDING PLANS.
3. LEGAL DESCRIPTION SUPPLIED BY CLIENT.
4. EASEMENTS ARE SHOWN PER THE PLAT OF PARK LAND ESTATES.
5. LAST FIELD INSPECTION OF THE SITE WAS 10/22/02.
6. RECORDED AND APPARENT RIGHTS-OF-WAY AND EASEMENTS OF UTILITIES EXCEPT THOSE SHOWN ON RECORDED PLAT ARE NOT SHOWN ON THIS DRAWING AND THE CLIENT DID NOT REQUEST RIGHTS-OF-WAY AND EASEMENTS OF UTILITIES RESEARCHED OR SHOWN.
7. A & R LAND SURVEY WAS UNABLE TO CLOSE TRACT "A" PER SAID PARK LAND ESTATES PLAT RECEPTION NO. 1730931.

NOTICE:

ACCORDING TO COLORADO LAW YOU MUST COMMENCE ANY LEGAL ACTION BASED UPON ANY DEFECT IN THIS IMPROVEMENT LOCATION CERTIFICATE WITHIN THREE YEARS AFTER YOU FIRST DISCOVER SUCH DEFECT. IN NO EVENT, MAY ANY ACTION BE TAKEN UPON ANY DEFECT IN THIS IMPROVEMENT LOCATION CERTIFICATE BE COMMENCED MORE THAN TEN YEARS AFTER THE DATE OF THE CERTIFICATE SHOWN HEREON.

IMPROVEMENT LOCATION CERTIFICATE:

I HEREBY CERTIFY THAT THIS IMPROVEMENT LOCATION CERTIFICATE WAS PREPARED FOR PARK LAND ESTATES H.O.A. AND THAT IT IS NOT A LAND SURVEY PLAT OR IMPROVEMENT SURVEY PLAT, AND THAT IT IS NOT TO BE RELIED UPON FOR THE ESTABLISHMENT OF FENCES, BUILDING, OR OTHER FUTURE IMPROVEMENT LINES. I FURTHER CERTIFY THAT IMPROVEMENTS ON THE ABOVE DESCRIBED PARCEL ON THIS DATE OCTOBER 22, 2002, EXCEPT UTILITY CONNECTIONS, ARE ENTIRELY WITHIN THE BOUNDARIES OF THE PARCEL, EXCEPT AS SHOWN, THAT THERE ARE NO ENCROACHMENTS UPON THE DESCRIBED PREMISES BY IMPROVEMENTS ON ANY ADJOINING PREMISES, EXCEPT AS INDICATED, AND THAT THERE IS NO APPARENT EVIDENCE OR SIGN OF ANY EASEMENT CROSSING OR BURDENING ANY PART OF SAID PARCEL, EXCEPT AS NOTED.

RONALD LEE POWERS
 COLORADO PROFESSIONAL SURVEYOR, PLS NO. 16427

UNTIL SUCH TIME AS THESE DOCUMENTS ARE APPROVED BY THE APPROPRIATE REVIEWING AGENCIES, A&R LAND SURVEYING, LLC APPROVES THEIR USE ONLY FOR THE PURPOSES DESIGNATED BY WRITTEN AUTHORIZATION.

CALL UTILITY NOTIFICATION CENTER OF COLORADO AT 1-800-922-1987 FOR THE PURPOSES OF LOCATING UTILITIES BEFORE YOU DIG, GRAVE, OR EXCAVATE. THE MAJORITY OF UTILITIES ARE NOT SHOWN ON THIS DRAWING.

A&R LAND SURVEYING, LLC.
 224 Pelham Street, Suite 102, Aurora, Colorado 80011
 PH: 303-565-9815, Fax: 303-565-9827

NO.	REVISION	BY	DATE
1	MOVED LOTS 3.3' W & 722.723	RCR	4-23-03
2	MOVED LOTS 708-711 & 715-718	RCR	7-08-03

H-SCALE	V-SCALE	DATE	DESIGNED BY	DRAWN BY	CHECKED BY
1"=50'	N/A	10/30/02			